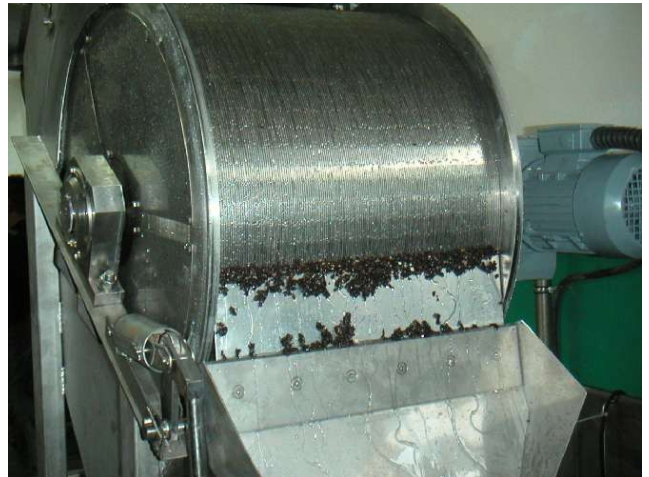


Coarse particles often add to waste water streams may disturb good functioning of the water treatment equipment. Therefore it is very important to remove these coarse particles before any further treatment is applied. We offer you two types of machines that can be used for the removal of coarse particles.

Rotary drum screen OSB

This type is characterized by maximum separation efficiency against low operation and maintenance costs. The slots of the rotating screen allow the water to pass. Coarse particles are held back by the outer drum surface and carried to a scraper mechanism where they are removed.

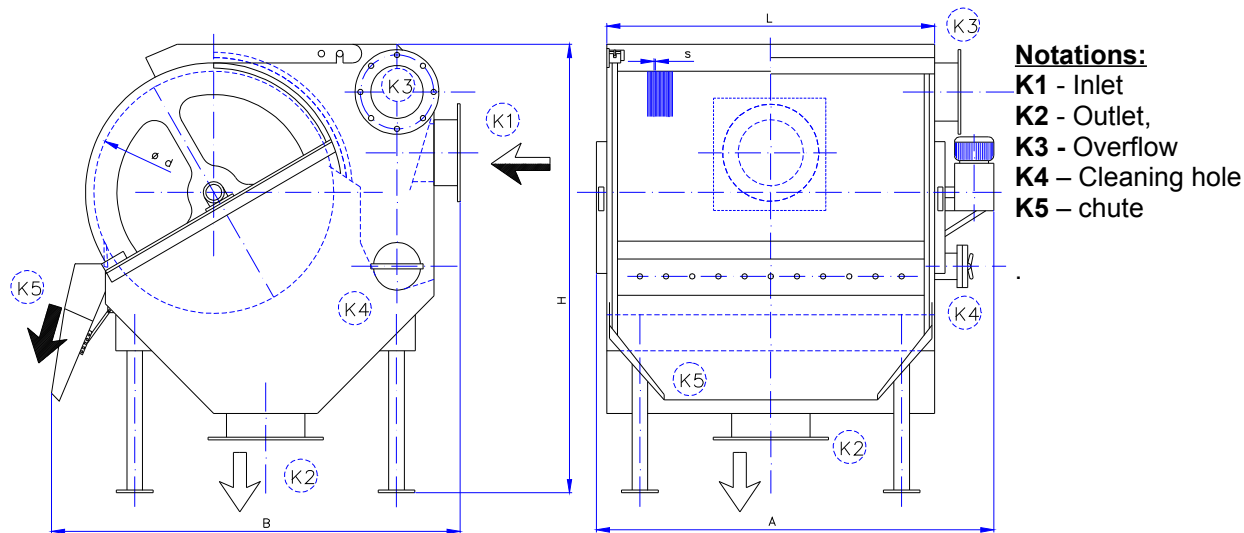
The OSB screen can be equipped with a spray cleaning device and control panel.



Curved screen SLG

The curved screen contains a slotted screen. The slots allow the water to pass and hold coarse materials, which slide down due to curved shape of screen and gravity.

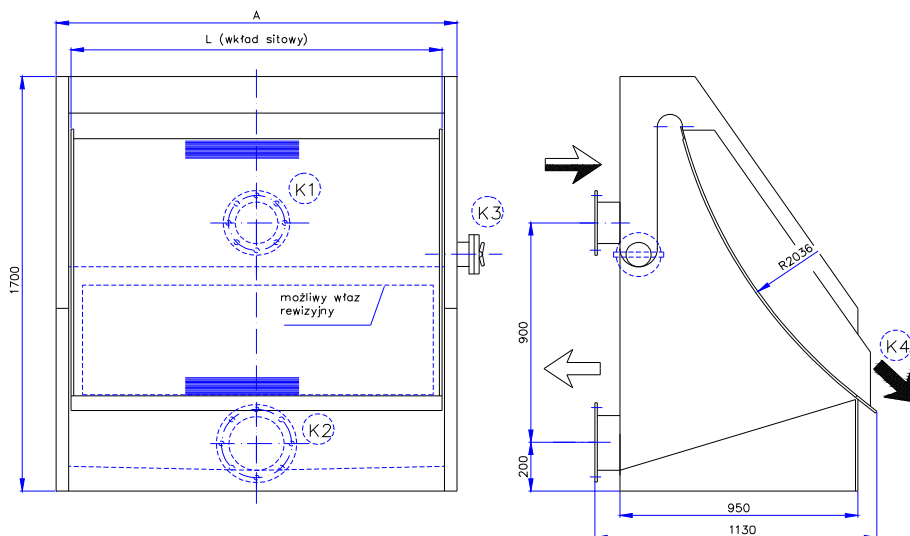
The curved screen is cheap and easy to maintain.



Notations:

- K1** - Inlet
- K2** - Outlet,
- K3** - Overflow
- K4** - Cleaning hole
- K5** - chute

Slot s [mm]	0,25	0,5	0,75	1,0	1,5	2,5	Drum length [mm]	Drum diameter [mm]
Type	CAPACITY [m ³ /h]							
OSB 605	40	70	90	115	140	180	460	628
OSB 610	80	150	200	240	310	390	960	628
OSB 615	120	230	300	370	470	600	1460	628
OSB 620	170	300	410	490	600	600	1960	628
OSB 910	95	170	230	300	400	500	960	916
OSB 912	120	220	300	390	500	660	1210	916
OSB 915	140	260	360	470	610	790	1460	916
OSB 920	200	360	490	640	800	1000	1960	916
OSB 925	250	450	610	800	1000	1340	2460	916
OSB 930	300	550	740	970	1220	1620	2960	916



Notations:

- K1** - Inlet
- K2** - Outlet,
- K3** - Cleaning hole
- K4** - Chute

Slot s [mm]	0,25	0,5	0,75	1,0	1,5	Screen width [mm]
Type	CAPACITY [m ³ /h]					
SLG 500	15	40	50	65	70	485
SLG 1000	25	70	85	100	110	985
SLG 1500	40	110	140	160	180	1485

Notice:

- ✓ These throughputs are based on domestic raw sewage with approx. 200 mg/l solids to be screened
- ✓ Other slots widths are available on request